

ZANUSSI

**Instructions
for the use and care of
DF 50/14
refrigerator/ freezer**

It is most important that this instruction book should be retained with the appliance for future reference. Should the appliance be sold or transferred to another owner, or should you move house and leave the appliance, always ensure that the book is supplied with the appliance in order that the new owner can be acquainted with the functioning of the appliance and the relevant warnings.

Refrigeration Warnings

THESE WARNINGS ARE PROVIDED IN THE INTEREST OF SAFETY. YOU MUST READ THEM CAREFULLY BEFORE INSTALLING OR USING THE APPLIANCE.

This appliance is designed to be operated by adults. Children should not be allowed to tamper with the controls or play with the product.

Any electrical work required to install this appliance should be carried out by a qualified electrician or competent person.

This product should be serviced by an authorized Zanussi Network Service Centre, and only genuine Zanussi spare parts should be used.

It is dangerous to alter the specifications or modify this product in any way.

Care must be taken to ensure that the appliance does not stand on the electrical supply cable.

Zanussi domestic refrigerators and fridge/freezers are designed to be used specifically for the storage of edible foodstuffs only.

Frozen food must not be re-frozen once it has been thawed out.

Manufacturers' storage recommendations should be strictly adhered to. Refer to relevant instructions.

There are working parts in this product which heat up. Always ensure that there is adequate ventilation as a failure to do this will result in component failure and possible food loss. See installation instructions.

Parts which heat up should not be exposed. Wherever possible the back of the product should be against a wall.

Before any cleaning or maintenance work is carried out, be sure to switch off the appliance and unplug.

The inner lining of the appliance consists of channels through which the refrigerant passes. If this should be punctured this would damage the appliance beyond repair and cause food loss. **DO NOT USE SHARP INSTRUMENTS** to scrape off frost or ice. Frost may be removed by using the scraper provided. Under no circumstances should solid ice be forced off the liner. Solid ice should be allowed to thaw when defrosting the appliance. See defrost instructions.

The appliance should be left for 2 hours after installation before it is turned on in order to allow the refrigerant to settle.

Do not place carbonated or fizzy drinks in the freezer as it creates pressure on the container, which may cause it to explode, resulting in damage to the appliance.

This appliance is heavy. Care should be taken when moving it.

Ice lollies can cause frost burns if consumed straight from the freezer.

Under no circumstances should you attempt to repair the appliance yourself. Repairs carried out by inexperienced persons may cause injury or more serious malfunctioning. Refer to your local Zanussi Network Centre, and always insist on genuine Zanussi spare parts.

Installation

Warning

IF YOU ARE DISCARDING AN OLD APPLIANCE THAT HAS A LOCK OR CATCH ON THE DOOR, PLEASE ENSURE THAT IT IS MADE UNUSABLE TO PREVENT YOUNG CHILDREN BEING TRAPPED INSIDE.

Depending upon the position which you choose for your appliance, you may wish to reverse the way in which the door opens. To do this, refer to instructions on page 9.

For this appliance to work efficiently, it should be located away from heat sources, e.g. cookers, radiators, boiler, direct sunlight etc. This also includes locations or rooms where the ambient temperature reaches above 32 degrees C or drops below 16 degrees (e.g. conservatories).

You should also ensure that air can circulate freely around the back and the top of the cabinet. There must also be at least 50 mm (2") distance between the top of the cabinet and any overhanging kitchen furniture (Fig. 2-A). Ideally, the appliance should not be positioned beneath overhanging furniture (Fig. 2-B). There should also be a gap of 25 mm either side of the appliance. Do not obstruct the space underneath. The back of the cabinet may be placed close to the wall but must not touch it. **DO NOT** install in places with restricted ventilation.

Adjust the level of the appliance by screwing out the adjustable foot, or feet, at the bottom of the cabinet using your fingers or a spanner (see Fig. 1).

Please ensure that when the appliance is installed it is easily accessible for the engineer in the event of a breakdown.

Electricity Supply

The appliance is for operation on a 220/240 V 50 Hz supply, so be sure that your electricity supply voltage is within the range marked on the nameplate located inside the cabinet.

Earthing

WARNING: THIS APPLIANCE MUST BE EARTHED. The manufacturer declines any liability should this safety measure not be observed.

If the plug that is fitted to your appliance is not suitable for your socket outlet, it must be cut off and the appropriate plug fitted. The cut off plug should be disposed of to prevent the hazard of electric shocks in case it should be plugged into a 13 Amp socket in another part of your home.

Electrical connection

IMPORTANT

The wires in this mains lead are coloured in accordance with the following code:

GREEN AND YELLOW - EARTH

BLUE - NEUTRAL

BROWN - LIVE

If you fit your own plug, the colours of the wires in the mains lead of your appliance may not correspond with the markings identifying the terminals in your plug; this is what you have to do: Connect the green and yellow (earth) wire to the terminal in the plug which is marked with the letter «E» or the earth symbol \equiv , or coloured green, or green and yellow.

Connect the blue (neutral) wire to the terminal in the plug which is marked with the letter «N» or coloured black. Connect the brown (live) wire to the terminal which is marked with the letter «L» or coloured red.

The plug moulded on to the cord incorporates a fuse. For replacement use a 13 Amp BS 1362 fuse. Only ASTA approved fuses should be used.

The fuse cover/carrier must be replaced in the event of changing fuse.

The right fuse cover/carrier colour is the one shown by the coloured insert at the base of the plug or is the colour of the inscription at the base of the plug.

The plug must not be used if the fuse cover/carrier is lost.

A replacement cover/carrier must be obtained from Zanussi Service Agents whose addresses are listed on the attached «Zanussi Service and Spares Nationwide».

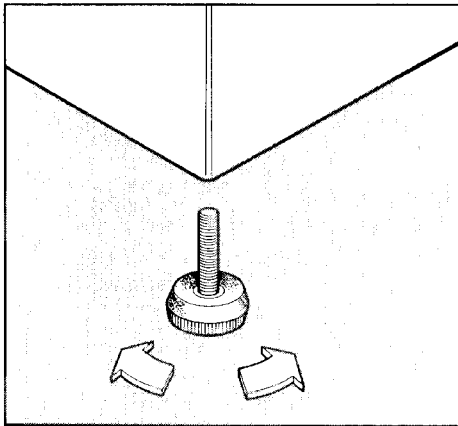


Fig. 1

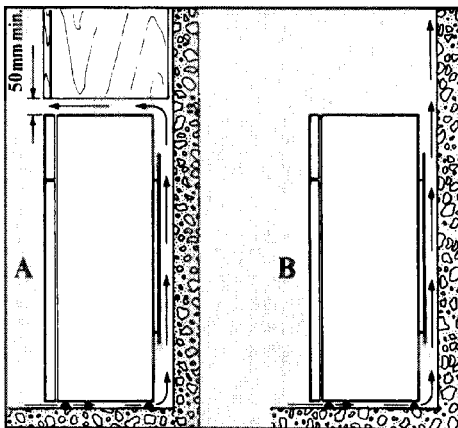


Fig. 2

This appliance complies with E.E.C. directive No. 82/499 of 7.6.82 relative to radio interference suppression.

Before using

Remove all securing tapes. Wash inside the appliance with lukewarm water and a little bicarbonate of soda (one teaspoonful to one quart of water).

Do not use soap or detergents as the smell might linger and taint food.

Dry thoroughly.

Warning

On the refrigerator thermostat control knob the position marked «●» is the OFF position for the appliance. Attention must be paid in case of accidental setting to this position.

Operation

Refrigerator/Freezer - Starting-up and Temperature Regulation

Insert the plug into the wall socket. Open the refrigerator door and turn the thermostat knob, to be found on the upper right side of the inner liner, clockwise, from the «●» position, to start the appliance.

Temperature adjustment is obtained by turning the thermostat knob to the required setting. A medium setting is generally the most suitable.

However, the thermostat knob setting should be adjusted depending on the temperature required inside the appliance.

This, in turn, depends on a number of factors such as the ambient temperature, the number of times the door is opened, the quantity of food stored and the location of the appliance.

Turn the knob clockwise, to higher numbers, to obtain a lower temperature, or anticlockwise if a higher temperature is required.

Frozen food storage and freezing

Net storage capacity of freezer: 45 litres.

Total gross capacity of both compartments: 180 litres.

The compartment (❄️) is suitable for long term storage of commercially frozen food marked by the symbol (❄️) (i.e. up to 3 months, unless otherwise stated by the manufacturer), and for freezing fresh food. Do not exceed the storage times shown by the manufacturer on the commercially frozen food packets.

Under normal circumstances, to freeze fresh foods it is not necessary to change the setting of the thermostat knob with respect to the normal running position.

However, for a quicker freezing operation, turn the thermostat knob to the coldest setting; but remember that, in this condition, the refrigerating compartment temperature might drop below 0°C. If this occurs reset thermostat knob to a warmer setting.

To help you make the most of the freezing process, here are some important hints:

Only freeze top quality, fresh and thoroughly cleaned, foodstuffs.

Prepare the fresh food in small portions to enable it to be rapidly and completely frozen and to make it possible subsequently to thaw only the quantity required at the time.

Wrap up the food in aluminium foil or polythene and make sure that the packages are airtight.

Place the food to be frozen on the shelf of the freezing compartment as this is the coldest part. The maximum quantity of food which can be frozen in 24 hrs is 3 kg.

Important

Do not put carbonated liquids (fizzy drinks, etc.) in the freezing compartment as they may burst.

Water ices, if consumed immediately after removal from the freezing compartment, can possibly cause the skin to be freeze burnt.

Do not allow fresh, unfrozen food to touch food which is already frozen, thus avoiding a rise in temperature of the latter.

Remember that, once thawed, frozen food deteriorates rapidly, and cannot be re-frozen.

If there is a power failure when food is in the freezer, do not open the door of the freezing compartment.

The frozen food will not be affected if the power cut is of short duration (a temperature increase of the frozen food could shorten its safe storage period), otherwise, it is recommended that the food should be used within a very short time.

Fresh food refrigeration

To obtain the best performance, do not store warm food or evaporating liquids in the refrigerator; do cover or wrap the food, particularly if it has a strong flavour.

Do not cover the shelves with any protective material, such as paper, cardboard or plastic, which may obstruct the air circulation through them.

To help you use your refrigerator correctly, here are some more useful hints:

Raw meat (beef, pork, lamb & wild fowl): wrap in polythene bags and place on top of the salad crisper and, for safety, only store in this way for one or two days at the most.

Fruit & vegetables: these should be thoroughly cleaned and placed in the bottom salad crisper.

Butter & cheese: these should be placed in special airtight containers or wrapped in aluminium foil or polythene bags to exclude as much air as possible.

Milk bottles: these should have a cap and should be stored in the bottle rack on the door.

Defrosting

Frost is automatically eliminated from the evaporator of the refrigerator compartment every time the motor compressor stops, during normal use. The defrost water drains out through a trough into a special container on the back of the appliance where it evaporates.

The freezer compartment, however, will become progressively covered with frost. This should be removed with the special plastic scraper provided, whenever the thickness of the frost exceeds ¼".

During this operation it is not necessary to switch off the power supply or to remove the foodstuffs. However, when the ice becomes very thick on the inner liner, complete defrosting should be carried out and it is advisable to carry out this operation when the appliance is empty.

To carry out complete defrosting of the freezer compartment proceed as follows: Remove any stored food, wrap it in several layers of newspaper and put it in a cool place.

Pull out the plug from the wall socket. Leave the door open.

When defrosting is completed, dry the interior thoroughly.

Replace the plug in the socket and, after letting the appliance run for at least half an hour, replace the previously removed food into the compartment.

Important

A temperature rise of the frozen food packs, during defrosting, may shorten their safe storage life.

Never use sharp metal tools to scrape off frost from the evaporator as you could damage it by so doing.

Maintenance

Prior to undertaking any maintenance operation, be sure to unplug the appliance from the wall socket as a safety precaution.

Clean the interior periodically with lukewarm water and some bicarbonate of soda; the cabinet exterior with a Silicone wax spray; the condenser and the motor compressor with a brush or a vacuum cleaner.

The defrost water drain hole should be cleaned at regular intervals. To do this, use either a straw, pipe cleaner or thin, flexible wire (e.g. net curtain wire without the end hooks) and insert it into the drain hole to a maximum of 6" (Fig. 3).

During periods when the appliance is not in use, take the following precautions: unplug the appliance from the power supply;

remove all foodstuffs from the appliance; clean the interior and all accessories; leave the door ajar to facilitate the circulation of air in the interior of the cabinet so as to prevent unpleasant odours from accumulating in the appliance.

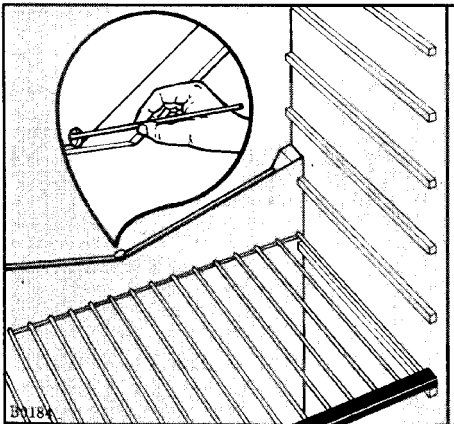


Fig. 3

Servicing

Should service be required for this appliance, contact your local Zanussi Service Agent, whose details can be found under «Z» in your local telephone directory. Before requesting service, the following simple checks may save you inconvenience and expense:

It there are water drops on the bottom of the fridge compartment, check that the defrost water drain opening is not obstructed.

Check that the plug is firmly in the wall socket.

Check that there is an electricity supply to the socket by plugging in another appliance and operating it.

If it is felt that the compressor may be faulty turn the thermostat knob to the coldest setting and, leaving the door open also for a few minutes, listen to check if the motor then runs and see if the evaporator frosts over. If the motor still does not run or frost does not form on the evaporator contact your Service Agent.

IN-GUARANTEE CUSTOMERS SHOULD ENSURE THAT THE ABOVE CHECKS HAVE BEEN MADE AS THE ENGINEER WILL MAKE A CHARGE IF THE FAULT IS NOT A MECHANICAL OR ELECTRICAL BREAKDOWN.

Please note that it will be necessary to provide proof of purchase for any in-guarantee service calls.

Replacing the interior light bulb

If the interior light does not come on when the door is opened, you will need to gain access to the interior light. To do this, unscrew the small screw located underneath the plastic switch cover and slide out the switch cover. Check that the electric bulb is correctly screwed into its socket.

If it is burnt out, replace the bulb with a similar 10W bulb. Replace the plastic cover and secure with the fixing screw.

Door reversal directions (Fig. 4)

Before carrying out the operations described below, pull out the mains plug from the wall socket.

To carry out this reversal go through the following steps:

- a) Gently lay the fridge/freezer on its back with the top held away from the floor by 5-8 cm (2-3 inches) of packing;
- b) Remove bottom hinge 1;
- c) Slide out the lower door from middle hinge 2 and remove the latter;
- d) Slide out the upper door from pin 3;
- e) Remove the top by unscrewing the rear screws, remove top hinge and then screw it down on the opposite side;
- f) Refit pin 3 on the opposite side and then refit the top;
- g) Refit the upper door and the middle hinge on the opposite side;
- h) Refit the lower door and bottom hinge 1 on the opposite side;
- i) Remove handles 4-5 and refit them on the opposite side.

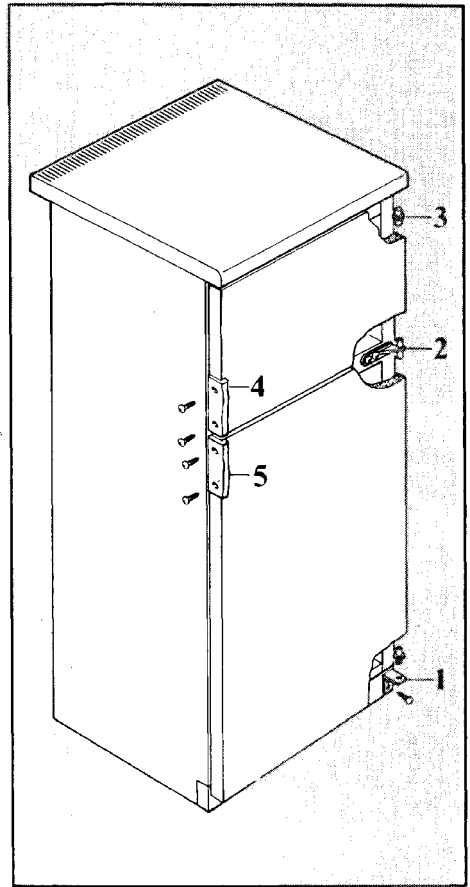


Fig. 4

ZANUSSI GUARANTEE CONDITIONS

This guarantee is in addition to your statutory and other legal rights which will not be excluded or in any way diminished by the return of the enclosed card.

We, Zanussi Ltd, guarantee that if within twelve months of the date of the purchase, this ZANUSSI appliance or any part thereof is proved to be defective by reason only of faulty workmanship or materials we will at our option repair or replace the same **FREE OF ANY CHARGE** for labour, materials or carriage on condition that:

- The appliance has been correctly installed and used only on the electricity supply stated on rating plate.
- The appliance has been used for normal domestic purposes and in accordance with the manufacturer's operating and maintenance instructions.
- The appliance has not been serviced, maintained, repaired, taken apart or tampered with by any person not authorised by us.

- The appliance is still in the possession of the original purchaser.
- Any appliance or defective part replaced shall become our property.

This guarantee does not cover any damage caused during transportation or the replacement of any light bulbs or removable parts of glass or plastic.

Should you require service on your Zanussi appliance consult the enclosed list for your nearest network centre. If the product is under first year guarantee then you will be required to produce proof of date of purchase to the engineer. If it is under 5 year cover then you must show your cover card to the engineer.

Please ensure that the enclosed pre-addressed card is stamped, completed in full and forwarded to Zanussi Ltd, to enable the guarantee to be recorded. Also complete the space below as your own record of the guarantee.

GUARANTEE RECORD

Appliance purchased from _____ on _____
Guarantee card no _____ Model no _____
Serial no _____ (These details may be taken from your Guarantee Record Card)
Your name _____
Address _____

